

Fuel tank extractor EasyFix



EasyFix fuel tank extractor



NEW FOR 2018!



EASYFIX FUEL TANK EXTRACTOR – FAST, SIMPLE INSTALLATION:

With the new “EasyFix” fuel tank extractor, pre-heaters and additional heaters can be installed in the passenger car without the need to remove the tank fitting. This simplifies installation and saves approx. 30 to 45 minutes of installation time, depending on the level of experience.

ADVANTAGES:

- Simpler fuel tank extractor installation
- Shorter installation time without dismantling the fuel fitting
- No need to replace the sealing ring
- No special tools required to remove the tank fitting
- No need to replace the screw plug
- Improved tightness through three sealing levels (see figure)
- Can be replaced retroactively
- Special drill bit for outward chip removal included

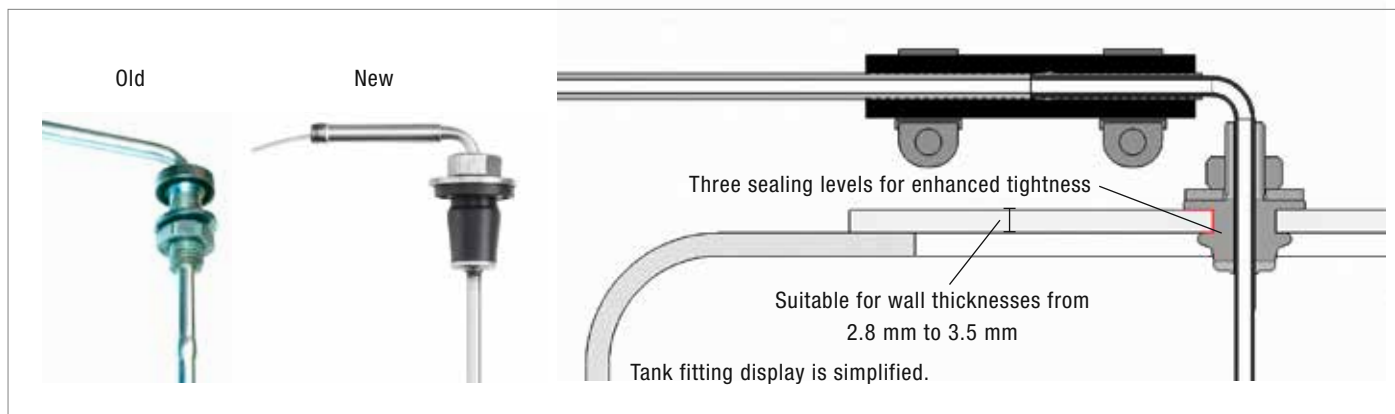
ADDITIONAL FEATURES:

- Exclusively for plastic fuel tank systems
- Components:
 - Riser pipe (stainless steel)
 - Fitting (stainless steel)
 - Rubber-metal part (stainless steel and elastomer)
 - M6 nut (stainless steel)
 - Washer (stainless steel)
 - Plastic core
- Delivery in bag including assembly instructions (in progress)

SEGMENTS:



EASYFIX



SAMPLE CALCULATION OF COST SAVINGS:

40 minutes of installation time (at €90.00/h)	€60.00
Material for refastening the tank fitting	€45.00
<hr/>	
Total savings	€105.00

